

TB1.5L Line Voltage Wiring Instructions

WARNING!

LINE VOLTAGE WIRING SHOULD ONLY BE PERFORMED BY A LICENSED ELECTRICIAN

The following describes the wiring instructions for the line voltage side of the TB1.5L. The TB1.5L is designed to accommodate multiple line voltages and may need to be rewired from the default position.

NOTE: For ease of wiring, the terminal strip can be released from the DIN rail by placing a screwdriver in the small slot at the bottom and prying against the body of the terminal block. It can then be snapped back on by hand.

- (1) Remove the cover plate to access the line voltage portion of the TB1.5L.
- (2) Connect line input to the open side of the disconnect switch, terminals labeled 1L1 through 5L3. If there is a neutral wire, connect it to the terminal labeled N.
- (3) Adjust TB1.5L for the appropriate line voltage. See table below and wiring diagram on page 4.

120VAC Line Input:

Move the contactor end of the BROWN wire to the L4 terminal.

Move the terminal strip end of the BROWN wire to the left-most terminal opposite the WHITE wire.

208VAC Line Input:

Move the contactor end of the BROWN wire to the L2 terminal.

Move the terminal strip end of the BROWN wire to the second terminal from the left, opposite the RED wire.

240VAC Line Input:

Move the contactor end of the BROWN wire to the L2 terminal.

Move the terminal strip end of the BROWN wire to third terminal from the left, opposite the ORANGE wire.

480VAC Line Input:

Move the contactor end of the BROWN wire to the L2 terminal.

Move the terminal strip end of the BROWN wire to the right-most terminal opposite the BLACK-RED wire.

- (4) Connect load output to the right side of the contactor, T1 through T3. If there is a neutral wire, connect it to T4.
- (5) Connect line input to the right side of the disconnect switch, L1 through L3. If there is a neutral wire, connect it to the terminal marked N.
- (6) Replace the cover plate.

TB1.5L Control Wiring Instructions

WARNING!

TB1.5L control panels do not provide motor overload protection. The installer must ensure that the correct overload protection is provided for all motors. In some cases, this may already be provided in the machine or installation.

WARNING!

TB1.5L control panels do not include branch circuit protection. The installer must ensure branch circuit protection not exceeding 60A is provided.

WARNING!

The supervisory and visual indicators are not rated for machine safety purposes and should not be used as such. The disconnecting means should be switched off and locked as necessary before servicing the load.

TB1.5L may be wired to a switch mechanism, timer, building automation system or access control system to control access to industrial equipment and other power circuits (up to the TB1.5L's max voltage and amp load rating). It may also be configured to allow access any time the box has power. See wiring diagram on page 5.

- Wiring to the contactor should be 4-14 AWG Cu/Al. The recommended tightening torque is 40 lb-in.
- Wiring to the disconnect switch should be 8-18 AWG Cu. The recommended tightening torque is 7lb-in.
- Recommended tightening torque on the terminal block (for setting supply voltage) is 18 lb-in. **NOTE:** The terminal block may be removed from the DIN rail by inserting a screwdriver in the small slot at the bottom and prying against the body. It then snaps back in place.
- Fuse: 3/4A Midget cartridge fuse rated at or above the application voltage. Must be UL listed or recognized under UL 248-14, with UL Category Control Numbers JDYX or JDYX2 for USA. **NOTE:** Many midget cartridge fuses are listed or recognized under other UL standards, such as UL 248-4, and thus are not suitable for this application.

Some fuses that meet these requirements are:

- Ferraz-Shawmut/Mersen SBS-3/4
 - Bussman BBS-3/4
 - Bussman KTK-3/4
 - Littlefuse KLK-3/4
 - At 240V and lower, a 1A fuse may be used.
- The circuit board in the box is all part of a Class 2 control circuit. Use Class 2 conductors.

- A screw terminal block is provided on the top edge of the board allowing easy connection to the following:

1 - VOUT+, 2 – VOUT-

24VDC or 12VDC output, 1A max. Voltage output is determined by jumper J1 on the TB1.5L printed circuit board (PCB). For use with internal access control boards or associated accessories.

3 – AUX2, 4 – AUX1

Contactor auxiliary switch. NO switch that closes when the contactor is engaged.

5 – TAMPER2, 6 – TAMPER1

Tamper switch. NO switch that closes when the door is closed.

7 - DISC2, 8 – DISC1

Disconnect auxiliary switch (if equipped). NC switch that opens when the disconnect switch is closed.

9 - AUTO, 10 – SW COM, 11 – SW COM, 12 - ON

Configuration monitor outputs

When configured for **AUTO**, the TEK Box will take instruction from any compatible switch mechanism or access control system through CONT1 and CONT2. To set the box to AUTO, move the slide selector switch next to the green terminal block to AUTO. The AUTO-SW COM outputs will be shorted when in AUTO mode for system monitoring.

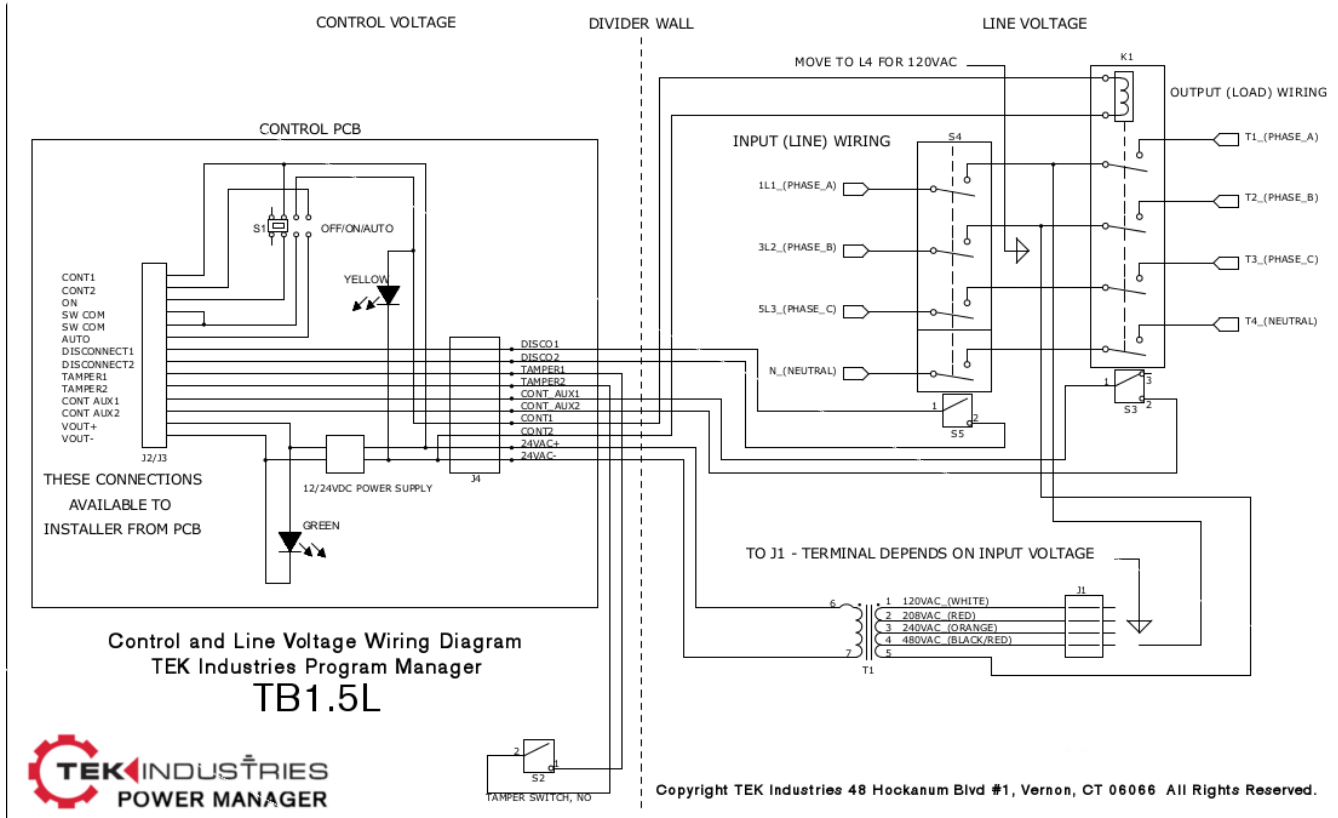
When configured for **ON**, the TEK Box will engage the contactor as soon as power is applied to the box, regardless of any signal from a switch mechanism or access control system. To set the box to ON, move the slide selector switch next to the green terminal block to ON. The ON-SW COM outputs will be shorted when in ON mode for system monitoring.

When configured for **OFF**, the TEK Box will not engage the contactor under any circumstances. To set the box to OFF, move the slide selector switch next to the green terminal block to OFF. The ON-SW COM and AUTOSW COM outputs will both be open when in OFF mode for system monitoring.

The SW COM terminals are connected on the TB1.5 printed circuit board (PCB) and should be wired as such.

13 – CONT2, 14 – CONT1

Contactor coil connection. Close connection to engage the contactor. NOTE: CONT2 and CONT1 contacts have 24VAC present on them when not connected. They should be connected using a relay or other isolated switching element.



LOAD RATING TABLE

Output Ratings	HP	FLA	GPA
120V Single phase	2	24	40
208V Three Phase	10	21	40
240V Single Phase	5	31	40
240V Three Phase	10	28	40
480V Three Phase	20	27	40

Limitation of Liability:

In no event shall TEK Industries, LLC, regardless of claim, right or theory, be liable for any incidental, consequential, indirect, special or punitive damages of any kind or nature, or for loss of revenue, profit, sales, anticipated savings, use of money or use of products, loss of business, loss of data, or other financial loss arising out of or in connection with the sale, installation, use, performance, failure or interruption of the products, technical failure and breaches of logical security, whether such liability is asserted on the basis of contract, tort (including negligence, products liability or strict liability) or otherwise. In the event that a court of competent jurisdiction rules that this limitation is invalid, the liability of TEK Industries, LLC shall not exceed the purchase price paid for the product.